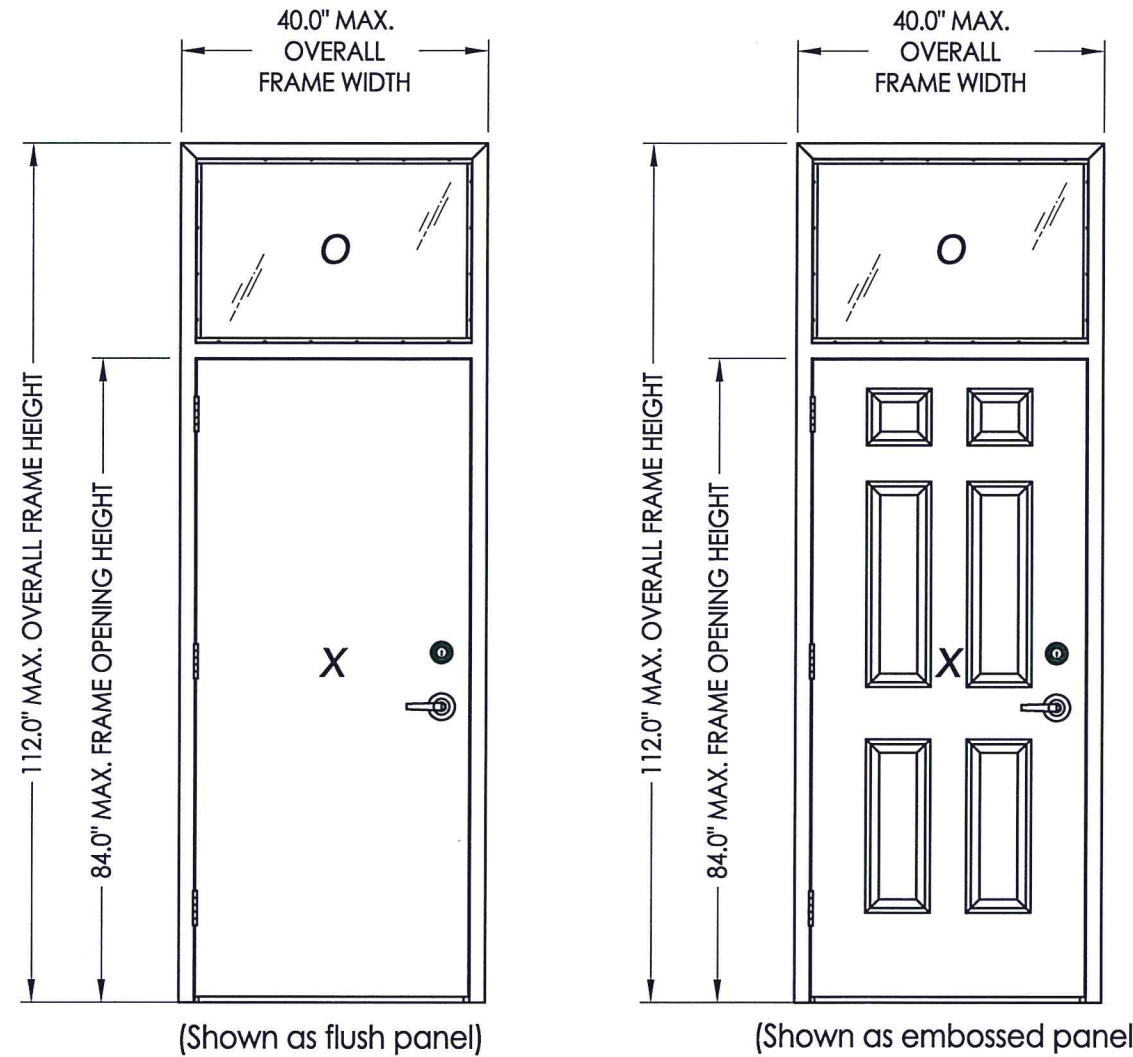


"D" SERIES COMMERCIAL STEEL DOOR w/ TRANSOM IN SWING / OUT SWING "IMPACT"

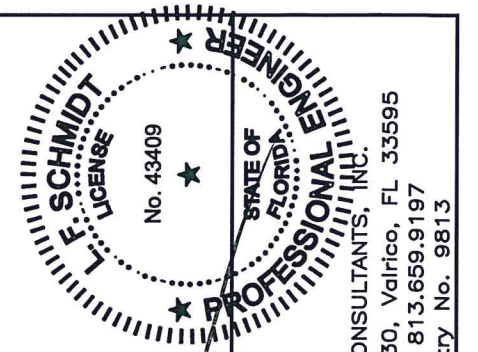
GENERAL NOTES

1. This product has been evaluated and is in compliance with the 7th Edition (2020) Florida Building Code (FBC) structural requirements excluding the "High Velocity Hurricane Zone" (HVHZ).
2. Product anchors shall be as listed and spaced as shown on details. Anchor embedment to base material shall be beyond wall dressing or stucco.
3. When used in areas requiring wind borne debris protection this product complies with FBC Section 1609.1.2 and does not require an impact resistant covering. This product meets missile level "D" and includes Wind Zone 4 as defined in ASTM E1996 and FBC Section 1609.1.2.2.
4. Site conditions that deviate from the details of this drawing require further engineering analysis by a licensed engineer or registered architect.
5. The "D" door achieves a Class I stiffness classification per Section 8.2.2 of ANSI A250.13 (based on opaque door).

TABLE OF CONTENTS	
SHEET #	DESCRIPTION
1	Typical elevations, design pressures, & general notes
2	Door panel sections 161 lock prep
3	Horizontal cross sections
4	Vertical cross sections
5	Vertical cross sections
6	Anchoring details
7	Glazing detail & components
8	Bill of materials & components

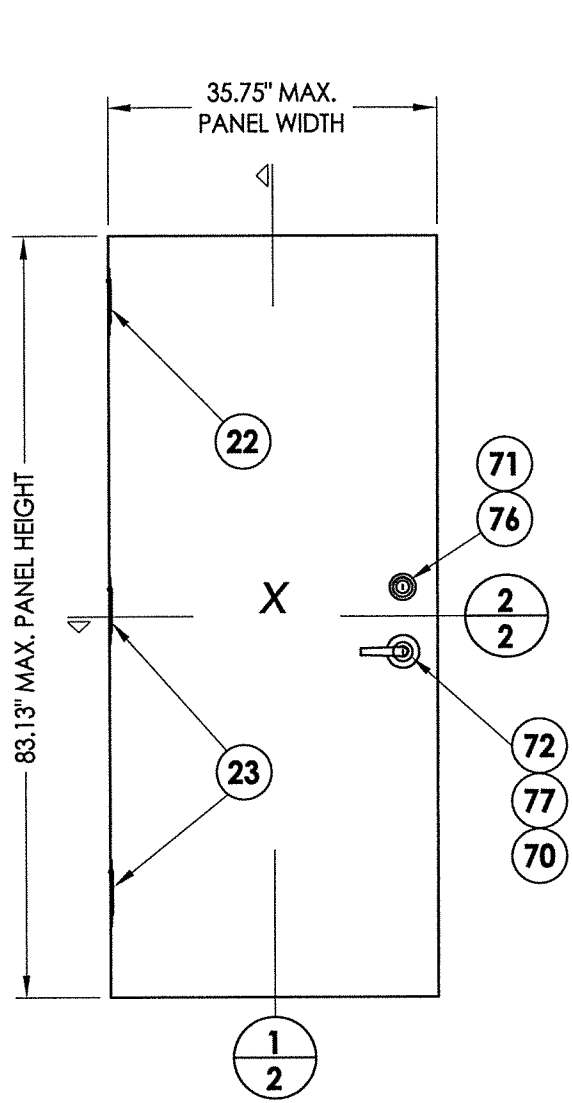


SWING	OVERALL FRAME DIMENSION	OVERALL D.L.O. DIMENSION	LOCK TYPE	DESIGN PRESSURE (PSF)	
				POSITIVE	NEGATIVE
IN SWING	40.0" x 112.0"	34.75" x 22.75"	161 LATCH (SCHLAGE)	+55.0	-55.0
	40.0" x 112.0"	34.75" x 22.75"	161 LATCH & DEADBOLT (DESIGN HARDWARE)	+65.0	-70.0
OUT SWING	40.0" x 112.0"	34.75" x 22.75"	161 LATCH (SCHLAGE)	+55.0	-55.0
	40.0" x 112.0"	34.75" x 22.75"	161 LATCH & DEADBOLT (DESIGN HARDWARE)	+65.0	-70.0

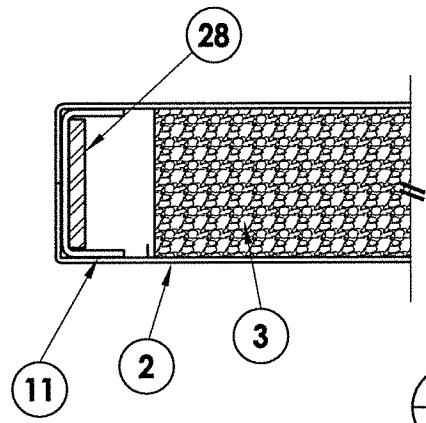


November 15, 2022
 Documents Prepared By:
 Lyndon F. Schmidt
 P.E. No. 43409
 R.W. BUILDING CONSULTANTS, INC.
 P.O. Box 230, Vairico, FL 33595
 Phone No.: 813.659.9197
 FBPE Registry No. 9813

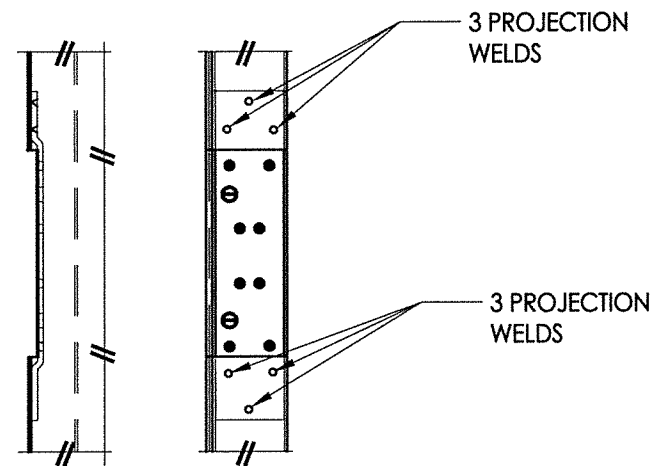
PRODUCT:	PREMIER PRODUCTS, INC. "D" STEEL DOOR
PART OR ASSEMBLY:	TYPICAL ELEVATIONS, DESIGN PRESSURES & GENERAL NOTES
NO.	DATE
BY	REVISIONS
DATE:	11/10/22
SCALE:	N.T.S.
DWG. BY:	LFS
CHK. BY:	RW
DRAWING NO.:	FL-41788.8
SHEET	1 OF 8



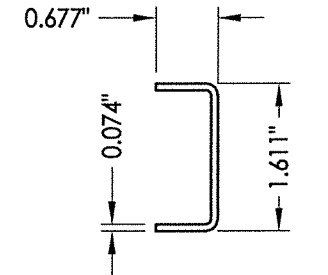
1 "D" OPAQUE STEEL DOOR PANEL



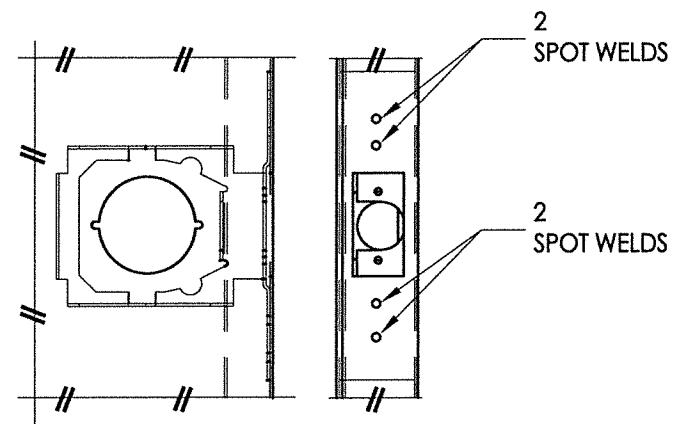
2 HORIZONTAL CROSS SECTION
2 Door panel



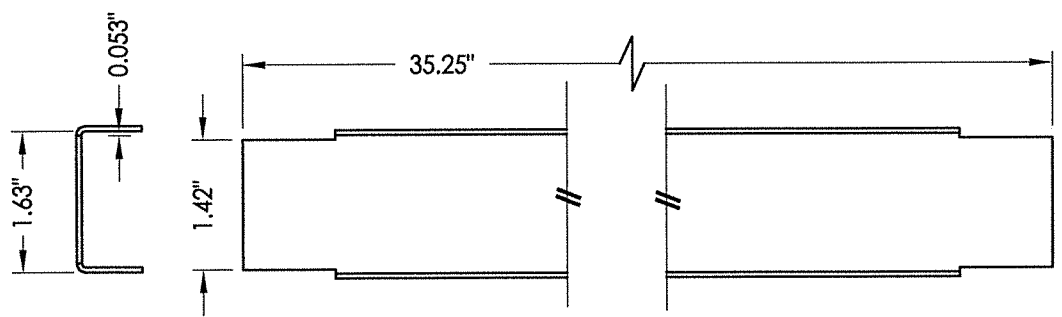
23 DOOR HINGE REINFORCEMENT



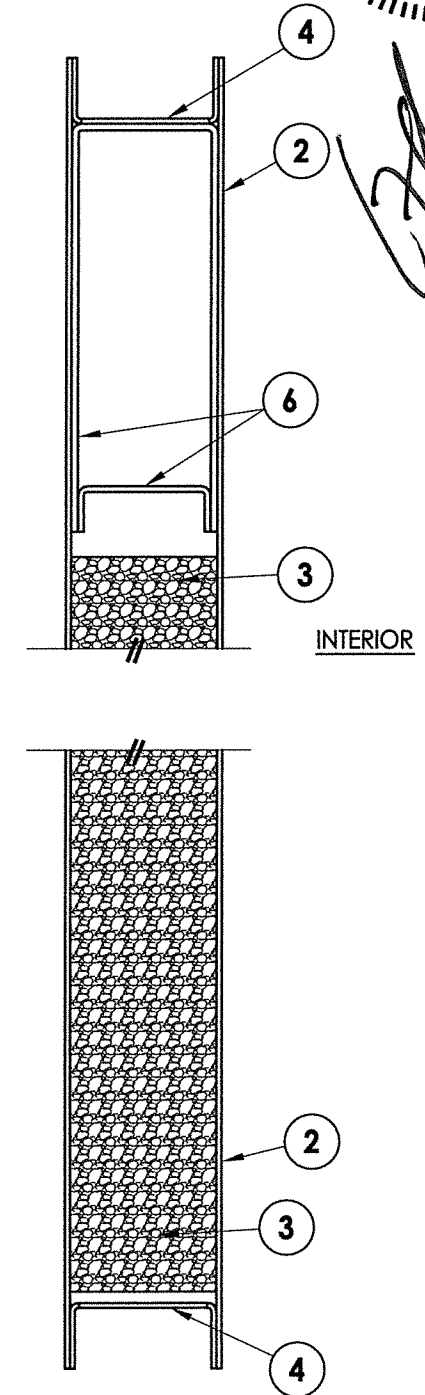
11 DOOR STILE EDGE Reinforcement



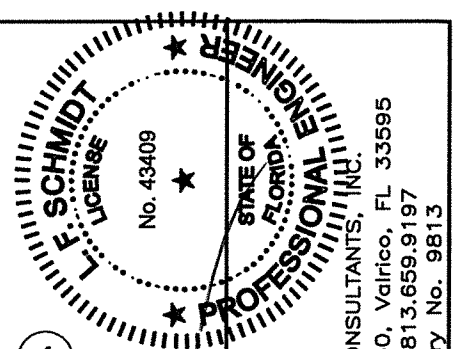
5 LOCK BOX REINFORCEMENT



4 DOOR TOP & BOTTOM CLOSER



1 VERTICAL CROSS SECTION
2 Door panel

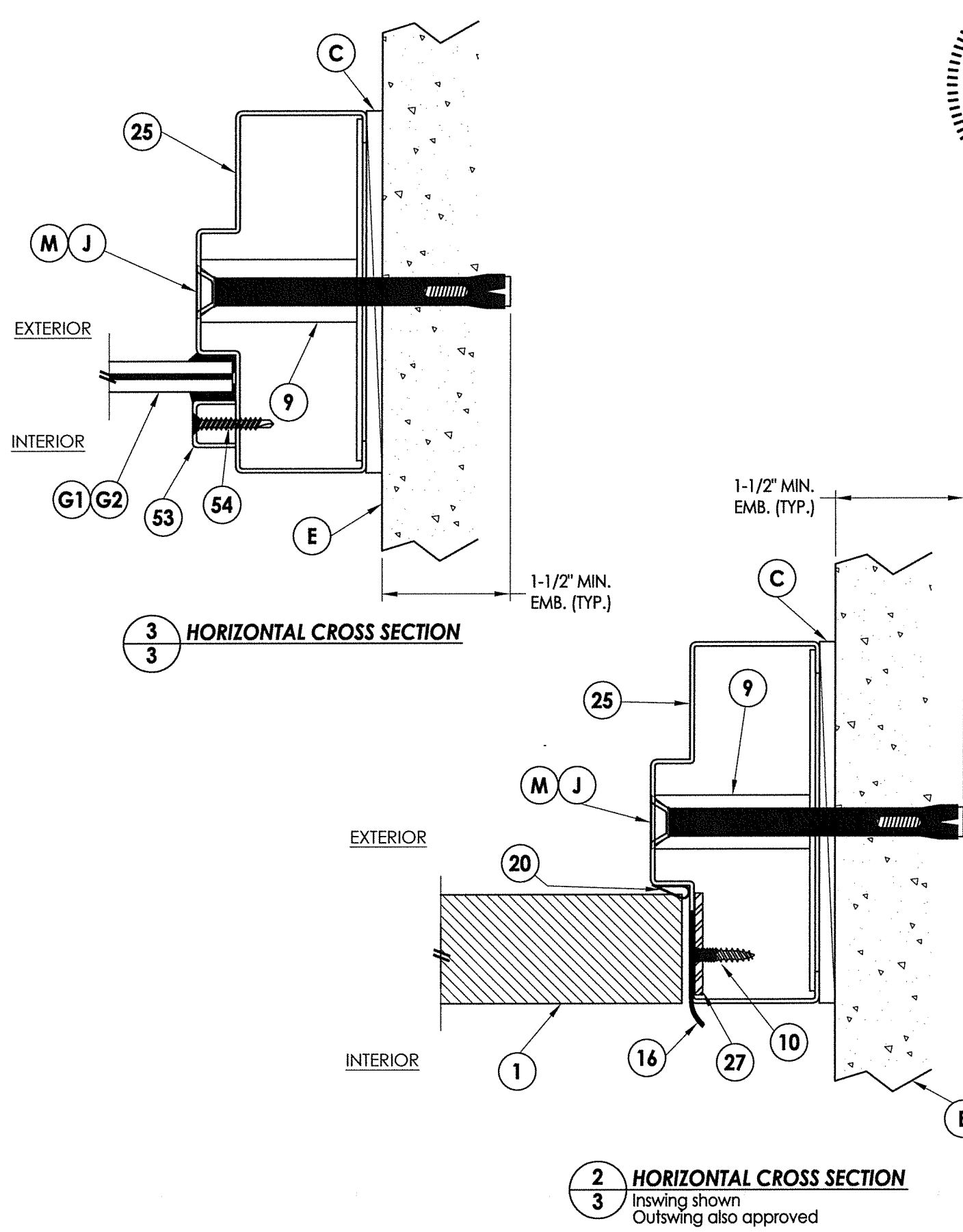
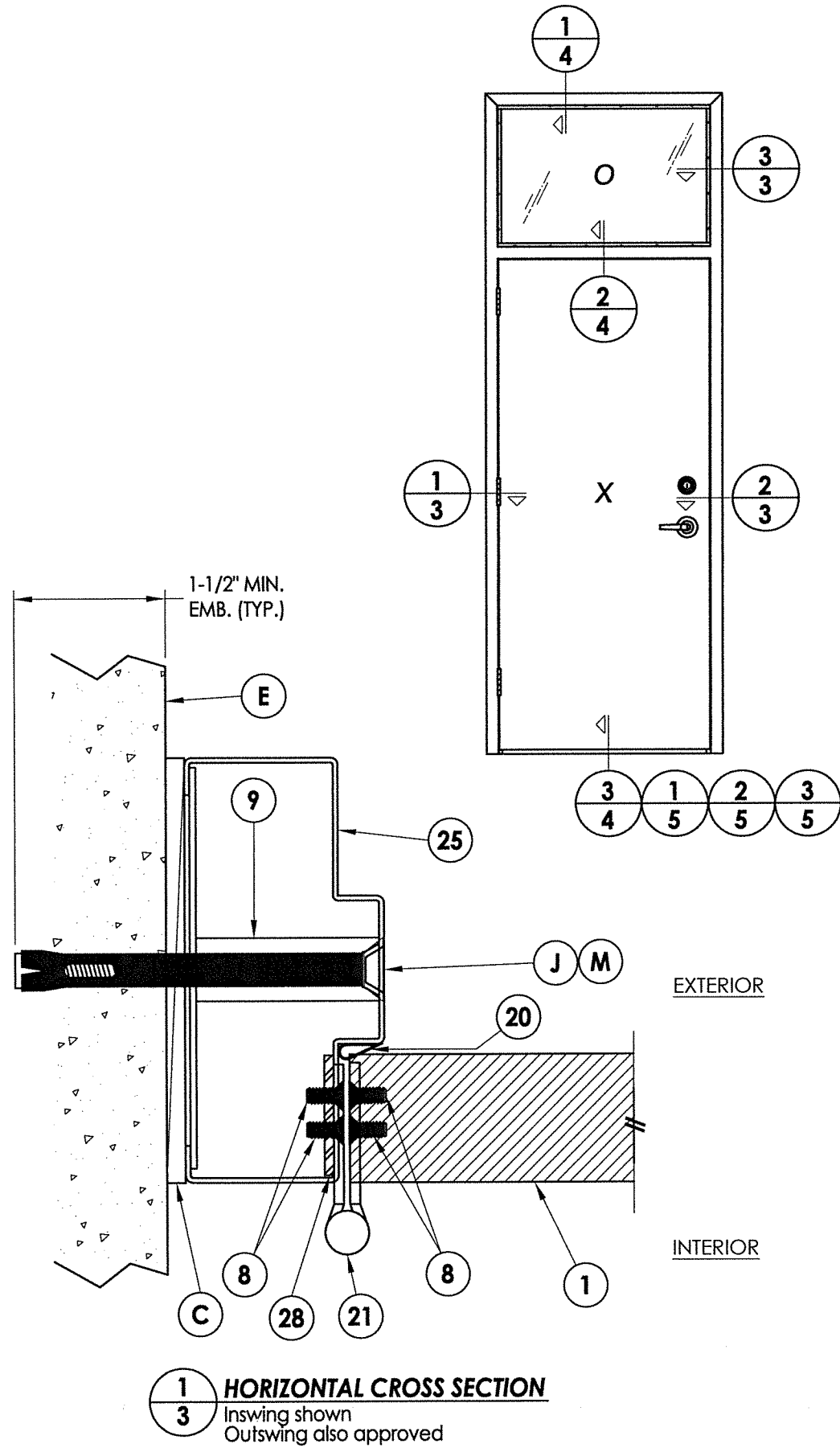


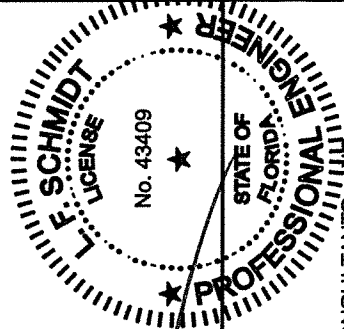
November 15, 2022

Documents Prepared By:
Lyndon F. Schmidt
P.E. No. 43409

R.W. BUILDING CONSULTANTS, INC.
P.O. Box 230, Valrico, FL 33595
Phone No.: 813.659.9197
FBPE Registry No. 9813

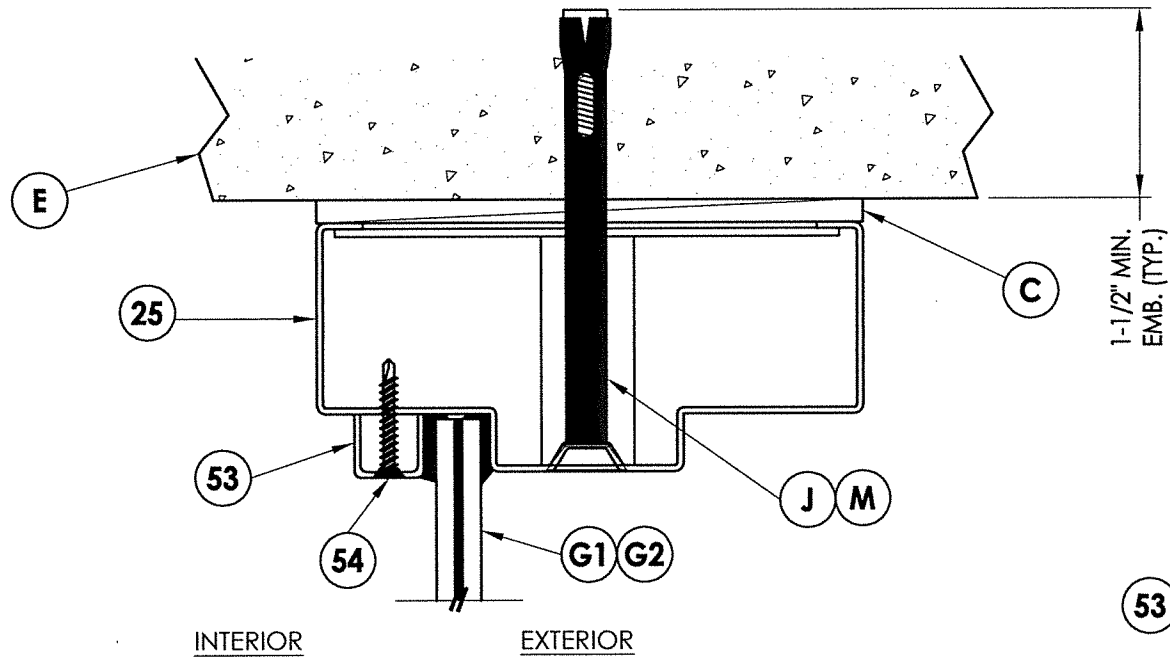
PRODUCT:	PREMIER PRODUCTS, INC.
PART OR ASSEMBLY:	"D" STEEL DOOR
	DOOR PANEL SECTIONS
	161 LOCK PREP
NO.	DATE
BY	REVISIONS
DATE:	11/10/22
SCALE:	N.T.S.
DWG. BY:	LFS
CHK. BY:	RW
DRAWING NO.:	FL-41788.8
SHEET	2 OF 8



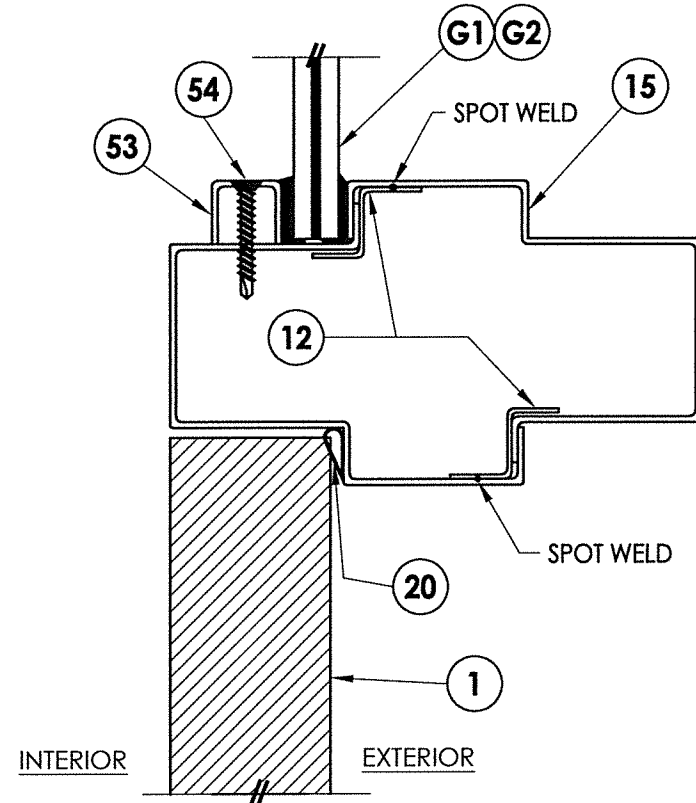

 November 15, 2022
 Documents Prepared By:
 Lyndon F. Schmidt
 P.E. No. 43409

R.W. BUILDING CONSULTANTS, INC.
 P.O. Box 230, Vairico, FL 33595
 Phone No.: 813.659.9197
 FBPE Registry No. 9813

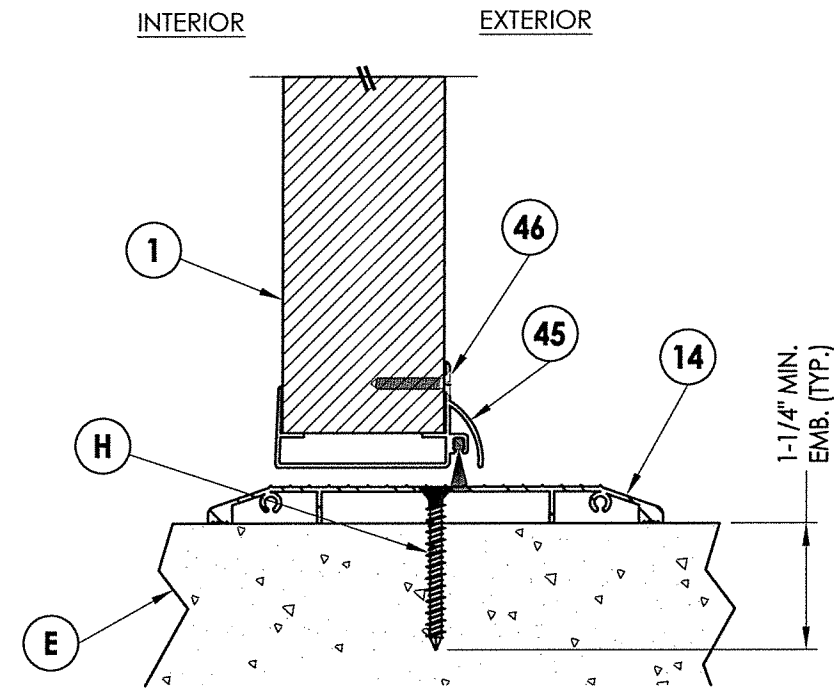
PRODUCT: PREMIER PRODUCTS, INC. "D" STEEL DOOR	PART OR ASSEMBLY: HORIZONTAL CROSS SECTIONS
NO. DATE BY	REVISIONS
DATE: 11/10/22 SCALE: N.T.S. DWG. BY: LFS CHK. BY: RW DRAWING NO.: FL-41788.8 SHEET 3 of 8	



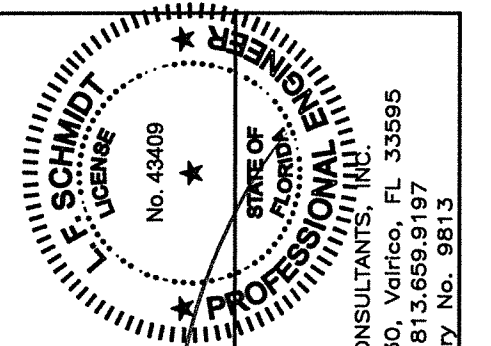
1
4 **VERTICAL CROSS SECTION**
Inswing shown
Outswing also approved



2
4 **VERTICAL CROSS SECTION**
Inswing shown
Outswing also approved

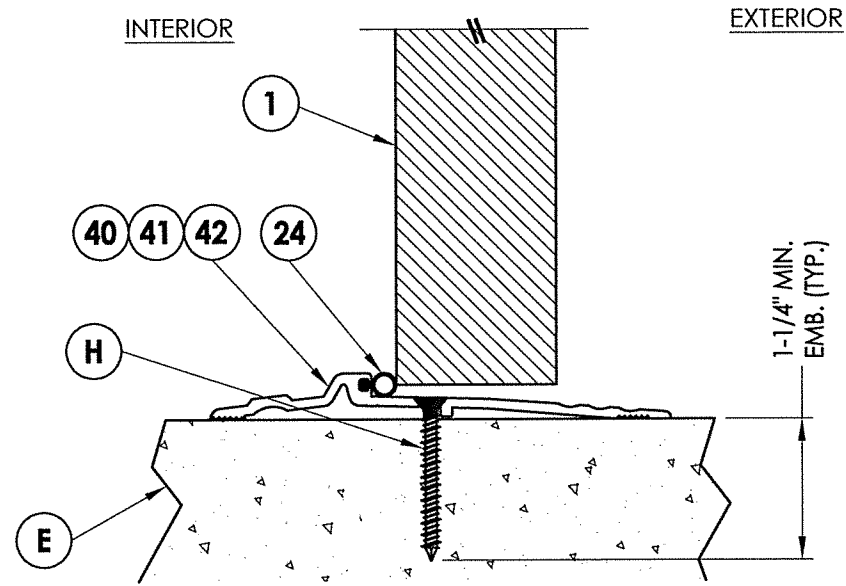


3
4 **VERTICAL CROSS SECTION**
Optional inswing shown

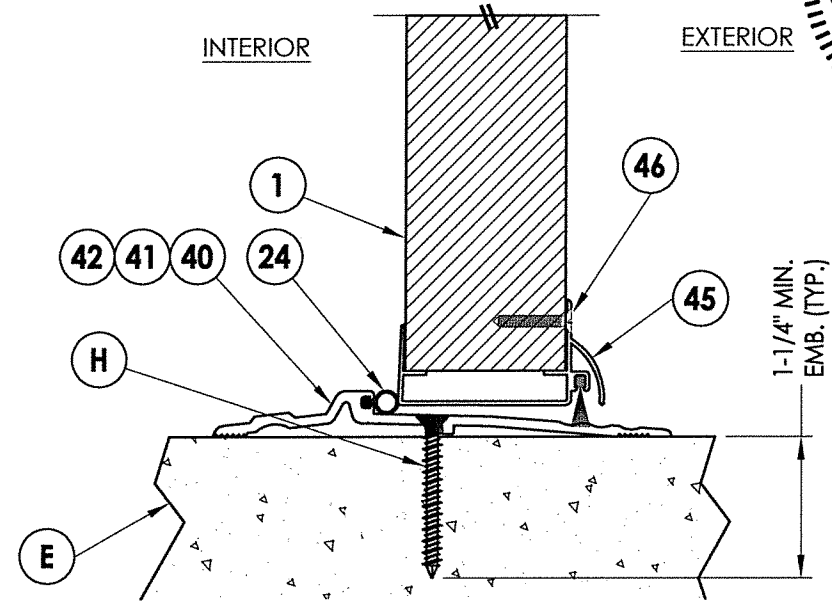


November 15, 2022
 Documents Prepared By:
 Lyndon F. Schmidt
 P.E. No. 43409
 R.W. BUILDING CONSULTANTS, INC.
 P.O. Box 230, Valrico, FL 33595
 Phone No.: 813.659.9197
 FBPE Registry No. 9813

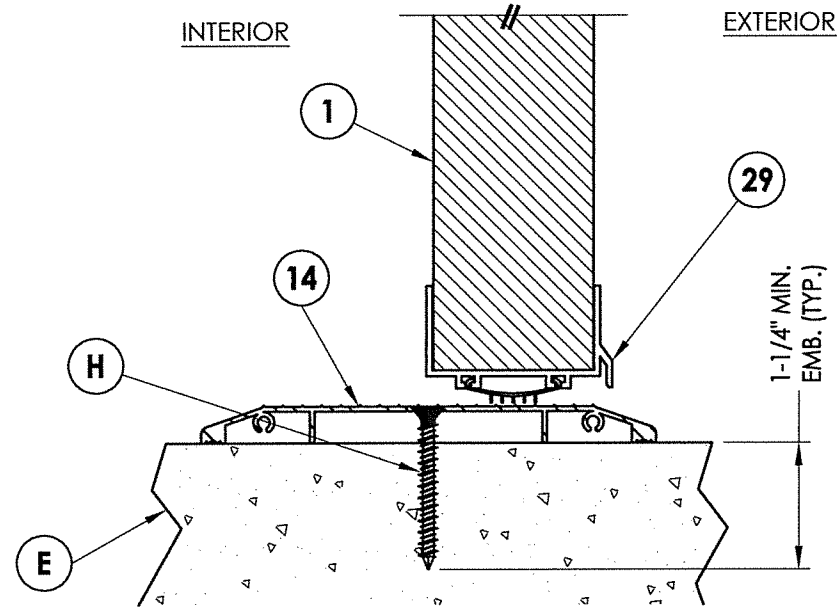
PRODUCT: PREMIER PRODUCTS, INC. "D" STEEL DOOR		REVISIONS	
PART OR ASSEMBLY: VERTICAL CROSS SECTIONS		NO.	DATE
		BY	
DATE: 11/10/22			
SCALE: N.T.S.			
DWG. BY: LFS			
CHK. BY: RW			
DRAWING NO.: FL-41788.8			
SHEET 4 OF 8			



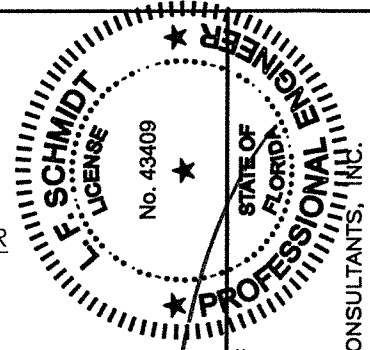
1 VERTICAL CROSS SECTION
5 Optional outswing shown



2 VERTICAL CROSS SECTION
5 Optional Outswing shown



3 VERTICAL CROSS SECTION
5 Optional Outswing shown

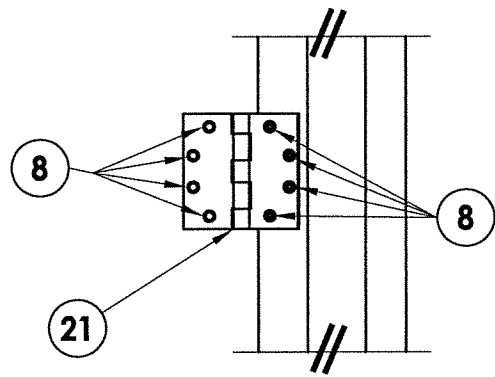


Handwritten signature

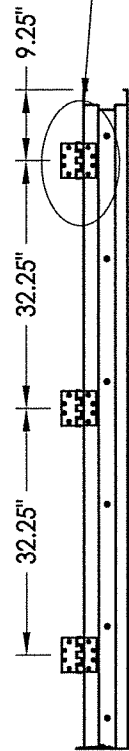
November 15, 2022
 Documents Prepared By:
 Lyndon F. Schmidt
 P.E. No. 43409
 R.W. BUILDING CONSULTANTS, INC.
 P.O. Box 230, Valrico, FL 33595
 Phone No.: 813.659.9197
 FBPE Registry No. 9813

PRODUCT: PREMIER PRODUCTS, INC.	
PART OR ASSEMBLY: "D" STEEL DOOR	
VERTICAL CROSS SECTIONS	
NO.	DATE
BY	REVISIONS
DATE: 11/10/22	
SCALE: N.T.S.	
DWG. BY: LFS	
CHK. BY: RW	
DRAWING NO.: FL-41788.8	
SHEET 5 OF 8	

Z:\Clients\Premier Products PERMANENT\A - Florida Product Approvals\FL-41788C - Drawings\FL-41788C - (2020)\FL-41788.5-9.dwg



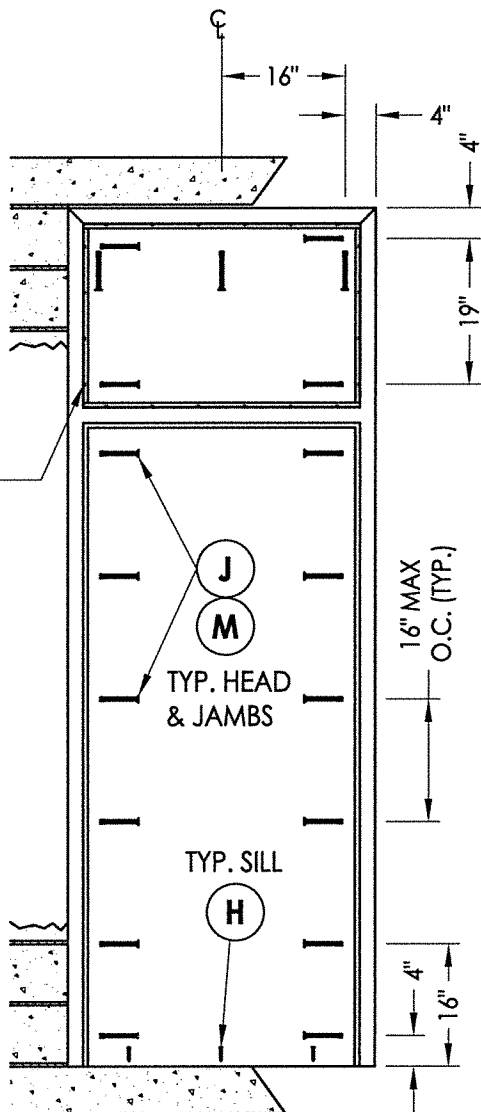
DETAIL 1



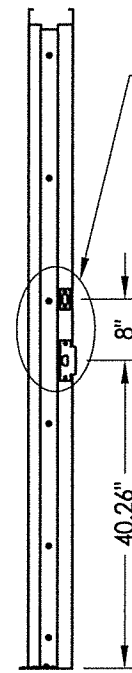
HINGE JAMB

SEE
DETAIL 1

ITEM #44 GLASS STOP
RETAINING SCREW
3" FROM CORNER
6" MAX ON CENTER

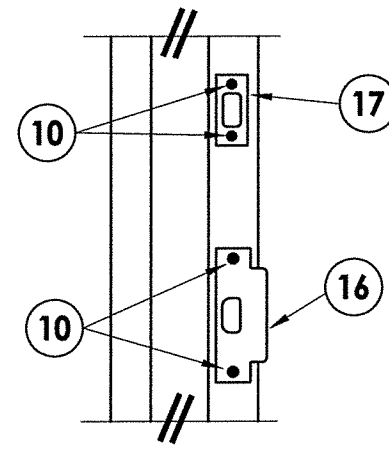


FRAME ANCHORING



STRIKE JAMB

SEE
DETAIL 2

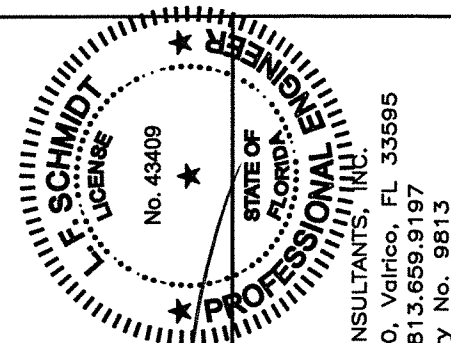


DETAIL 2

ANCHOR NOTES:

1. Substitution of equal concrete screws from a different supplier may have different edge distance and center distance requirements.
2. Concrete screw locations at the corners may be adjusted to maintain the minimum edge distance to mortar joints. If concrete screw locations noted as "MAX. ON CENTER" must be adjusted to maintain the minimum edge distance to mortar joints, additional concrete screws may be required to ensure the maximum on center dimension is not exceeded.
3. Concrete Anchor Table:

ANCHOR TYPE	ANCHOR SIZE	MINIMUM EMBEDMENT	MINIMUM CLEARANCE TO MASONRY EDGE	MINIMUM CLEARANCE TO ADJACENT ANCHOR
ITW TAPCON®	1/4"	1-1/4"	2-1/2"	4"
DYNABOLT SLEEVE ANCHOR	3/8"	1-1/2"	2-1/4"	4-1/2"
POWERS TAPPER	3/8"	1-1/2"	4"	3-3/4"



[Handwritten Signature]

November 15, 2022
Documents Prepared By:
Lyndon F. Schmidt
P.E. No. 43409

R.W. BUILDING CONSULTANTS, INC.
P.O. Box 230, Valrico, FL 33595
Phone No.: 813.659.9197
FBPE Registry No. 9813

PRODUCT:
PREMIER PRODUCTS, INC.
"D" STEEL DOOR

PART OR ASSEMBLY:
ANCHORING DETAILS

NO.	DATE	BY	REVISIONS

DATE: 11/10/22

SCALE: N.T.S.

DWG. BY: LFS

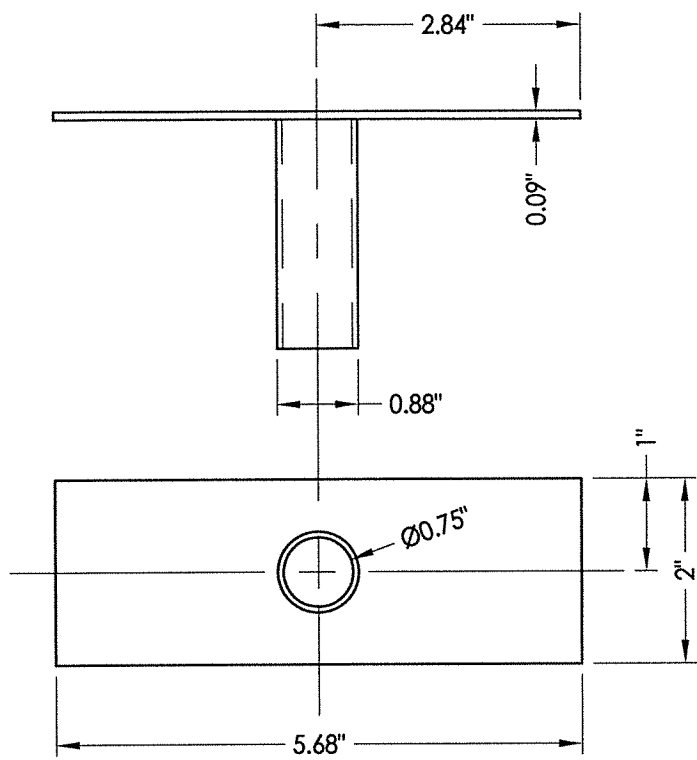
CHK. BY: RW

DRAWING NO.:

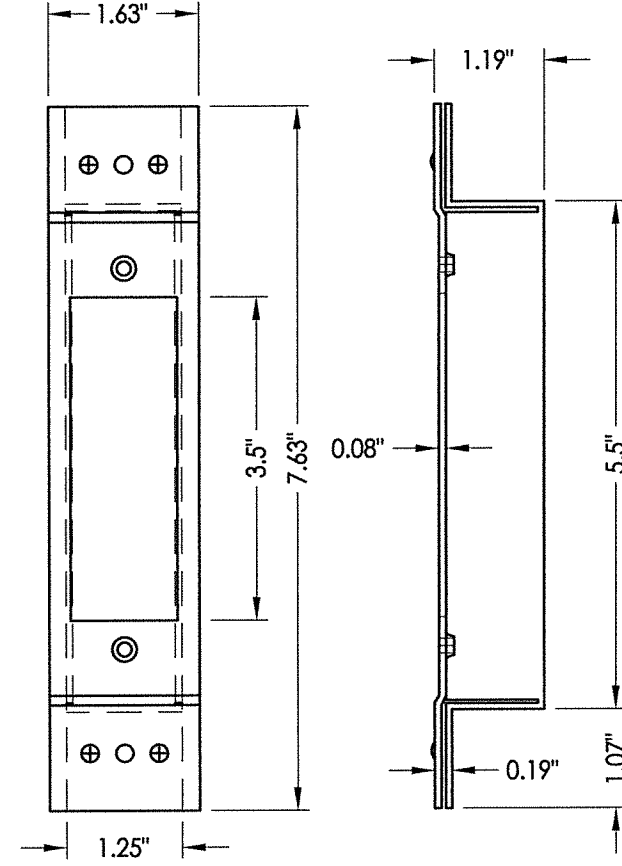
FL-41788.8

SHEET 6 OF 8

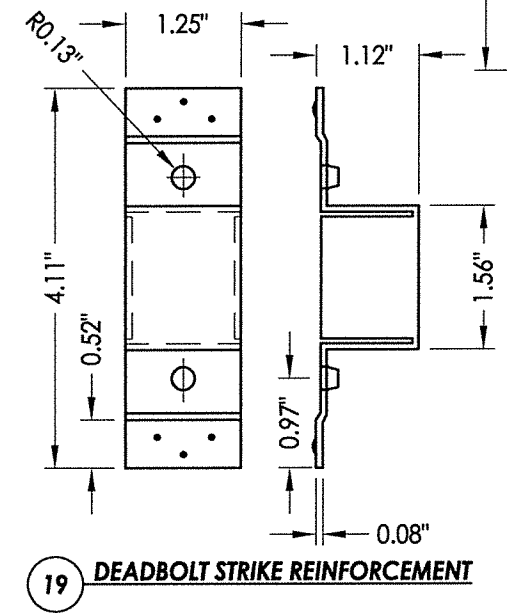
Z:\Clients\Premier Products PERMANENT A - Florida Product Approvals\FL-41788C - Drawings\FL-41788-5-9.dwg



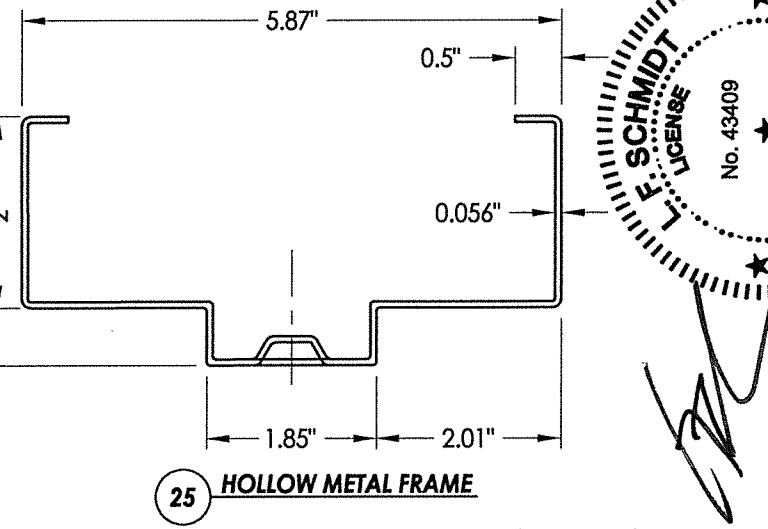
9 **TUBE ANCHOR**



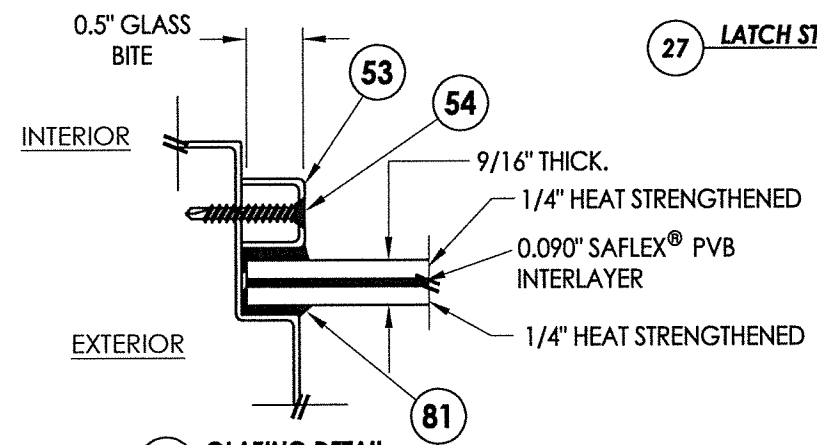
27 **LATCH STRIKE REINFORCEMENT**



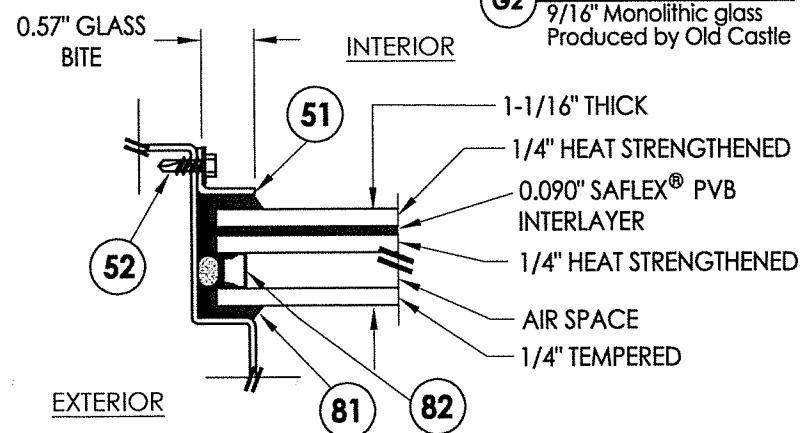
19 **DEADBOLT STRIKE REINFORCEMENT**



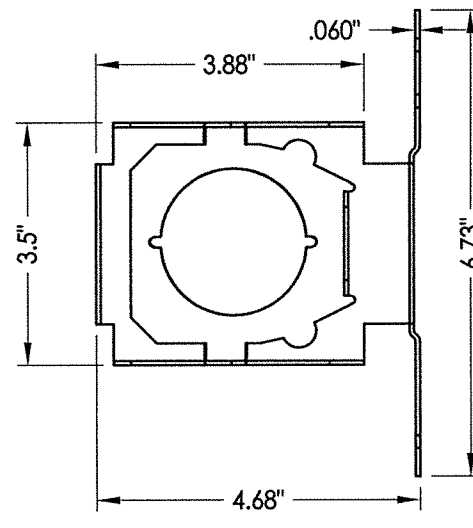
25 **HOLLOW METAL FRAME**



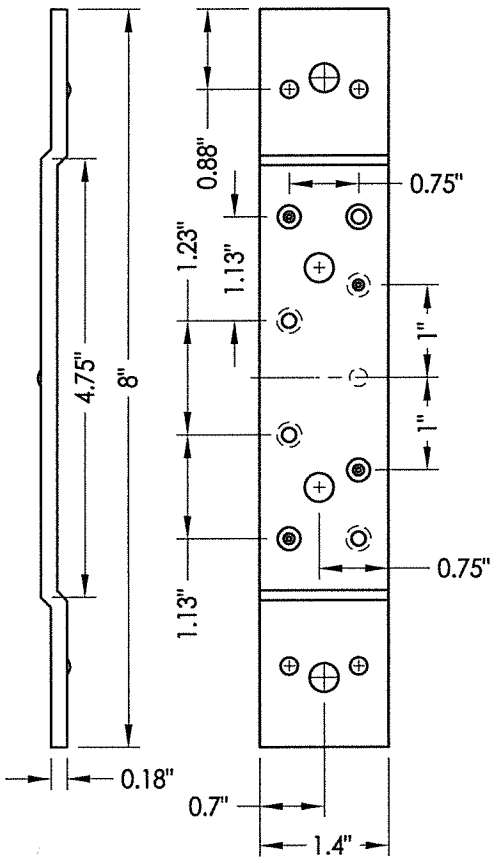
G2 **GLAZING DETAIL**
9/16" Monolithic glass
Produced by Old Castle



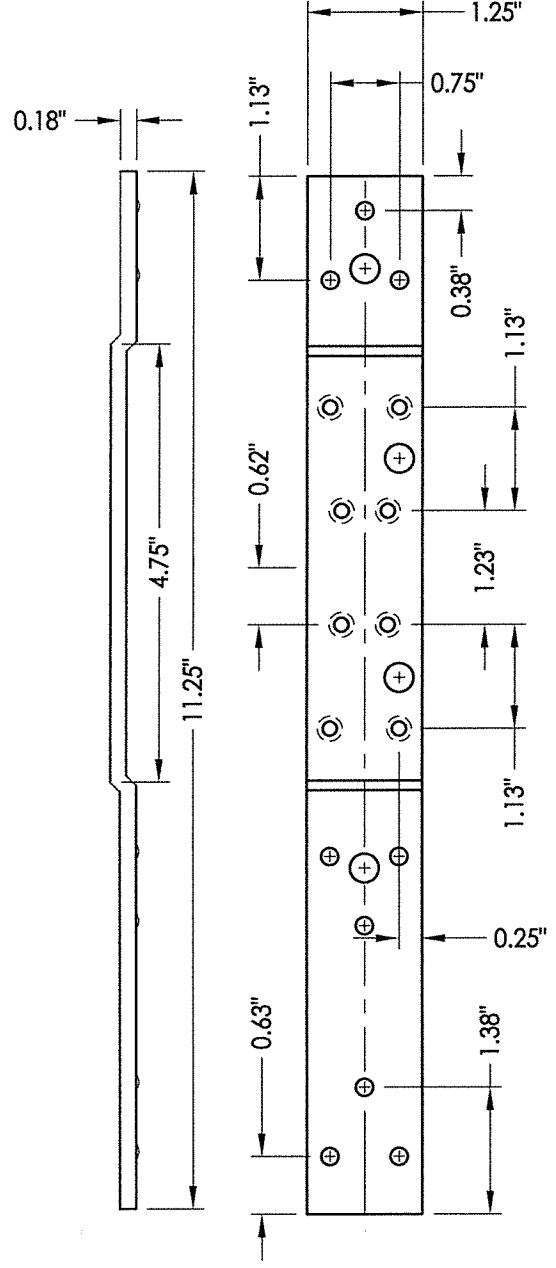
G1 **GLAZING DETAIL**



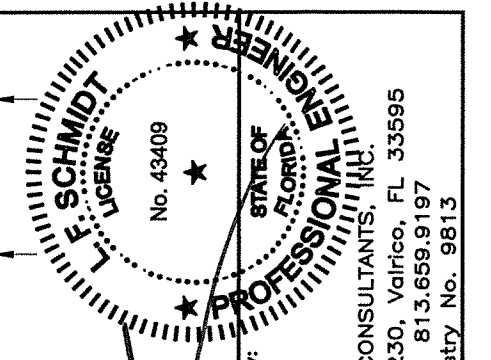
5 **LOCK BOX REINFORCEMENT**



23 **STANDARD (SHORT) DOOR HINGE**
Reinforcement middle and bottom hinge



22 **STANDARD (LONG) DOOR HINGE**
Reinforcement top hinge

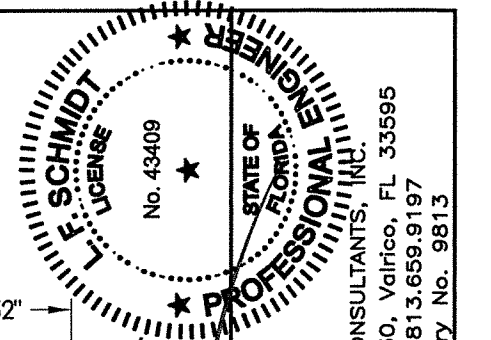


November 15, 2022
Documents Prepared By:
Lyndon F. Schmidt
P.E. No. 43409
RW
BUILDING CONSULTANTS, INC.
P.O. Box 230, Valrico, FL 33595
Phone No.: 813.659.9197
FBPE Registry No. 9813

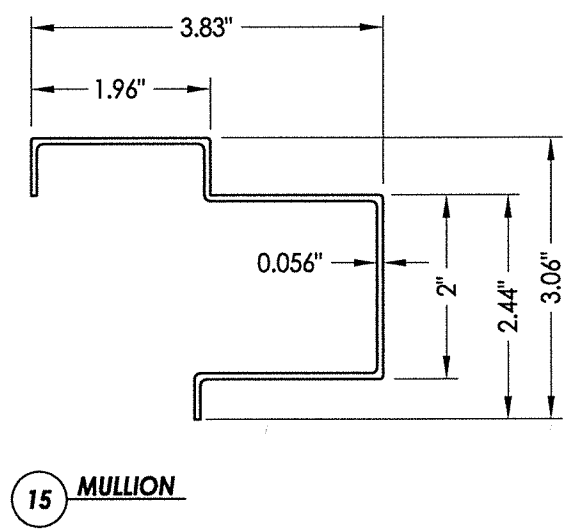
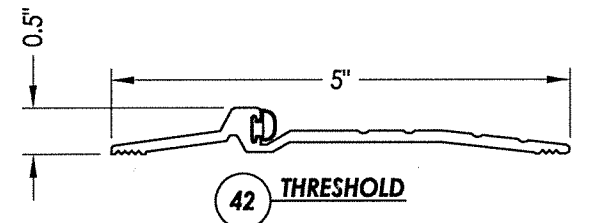
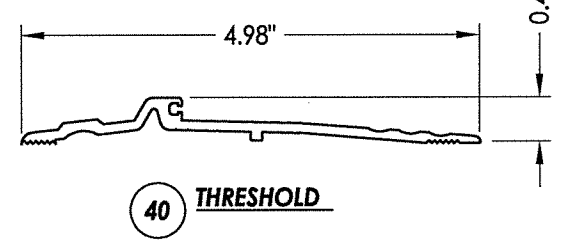
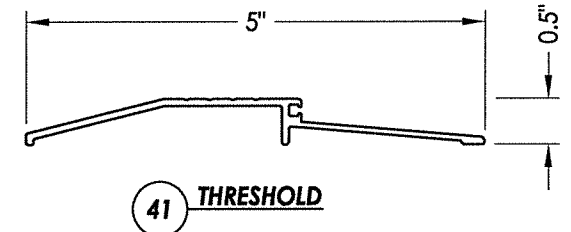
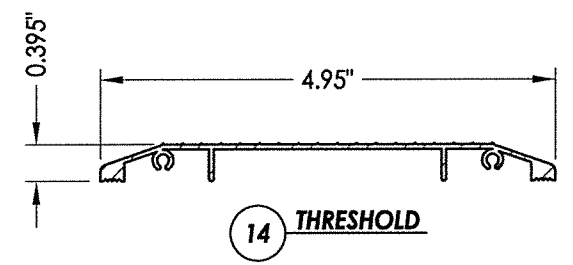
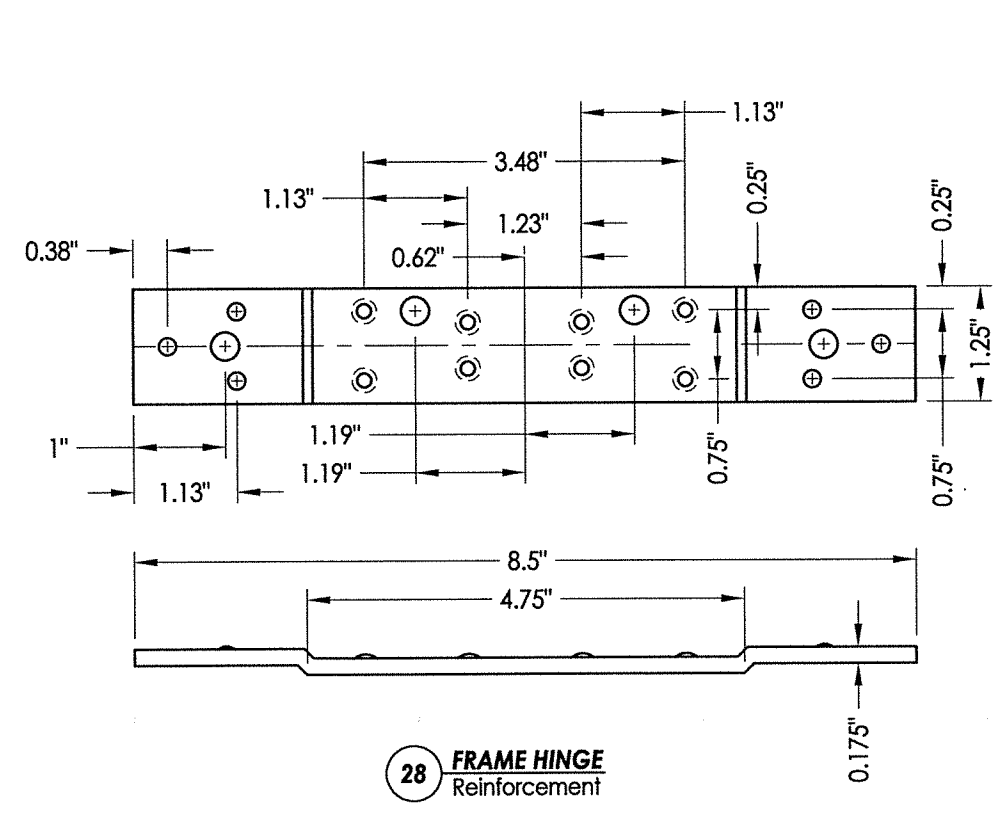
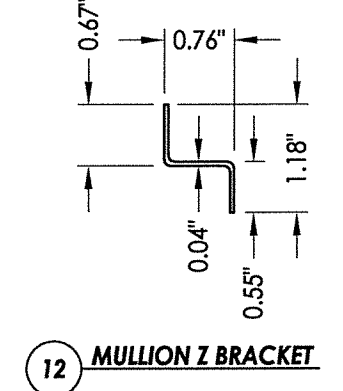
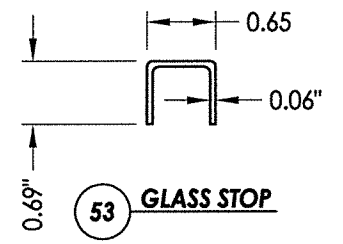
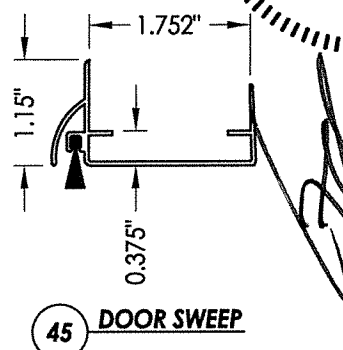
PRODUCT:	PREMIER PRODUCTS, INC.
PART OR ASSEMBLY:	"D" STEEL DOOR
NO.	DATE
BY	REVISIONS
DATE: 11/10/22	
SCALE: N.T.S.	
DWG. BY: LFS	
CHK. BY: RW	
DRAWING NO.: FL-41788.8	
SHEET 7 OF 8	

Z:\Clients\Premier Products PERMANENTA - Florida Product Approvals\FL-41788C - Drawings\FL-41788.5-9.dwg

BILL OF MATERIALS					
ITEM	DESCRIPTION	MATERIAL	ITEM	DESCRIPTION	MATERIAL
C	MAX. 1/4" SHIM SPACE	-	21	4-1/2" X 4-1/2" X 0.125" TEMPLATE HINGE	STEEL
E	MASONRY - 3,000 PSI MIN. CONCRETE CONFORMING TO ACI 301 OR HOLLOW BLOCK CONFORMING TO ASTM C90	CONCRETE	22	STANDARD (LONG) DOOR HINGE TOP HINGE REINFORCEMENT	STEEL
H	1/4" x 1-3/4" PFH DeWALT OR ITW CONCRETE SCREW	STEEL	23	STANDARD (SHORT) DOOR HINGE MIDDLE BOTTOM REINFORCEMENT	STEEL
J	3/8" X 5" PFH ITW DYNABOLT SLEEVE ANCHOR	STEEL	24	WEATHER STRIP (THRESHOLD)	NEOPRENE
M	3/8" X 5" TAPPER CONCRETE SCREW BY POWERS FASTENERS	STEEL	25	FRAME 5-3/4" X 2" MIN. (0.056" THK)	STEEL
1	"D" OPAQUE STEEL DOOR PANEL	-	27	LATCH STRIKE REINFORCEMENT	STEEL
2	DOOR SKIN (0.055" THK. STEEL, Fy = 40,317 PSI MIN.)	STEEL	28	FRAME HINGE REINFORCEMENT	STEEL
3	FOAM 1.0 PCF MIN. DENSITY	POLYSTYRENE	29	COLUMBIA DOOR BOTTOM SWEEP #2580	ALUMINUM
4	DOOR TOP & BOTTOM CLOSER	STEEL	40	THRESHOLD NATIONAL GUARD PRODUCTS, INC. #896	ALUMINUM
5	LOCK BOX REINFORCEMENT	STEEL	41	THRESHOLD NATIONAL GUARD PRODUCTS, INC. #950	ALUMINUM
6	CLOSER REINFORCEMENT	STEEL	42	THRESHOLD PEMKO #2005 V	ALUMINUM
8	#12-24 x 1/2" SELF TAPPER	STEEL	45	95WHA DOOR SWEEP NATIONAL GUARD PRODUCTS, INC.	ALUMINUM
9	TUBE ANCHOR	STEEL	46	#6 X 3/4" PHILLIPS HEAD SMS	STEEL
10	#12-24 x 1.0" COMBINATION MACHINE / WOOD SCREW	STEEL	51	L-CHANNEL FIXED GLASS STOP	STEEL
11	DOOR STILE EDGE REINFORCEMENT	STEEL	52	#8 X 0.5" HH SELF DRILLING SCREW	STEEL
12	MULLION Z BRACKET	STEEL	53	U-CHANNEL GLASS STOP	STEEL
14	COLUMBIA ADA THRESHOLD #6510	ALUMINUM	54	#8 X 1.25" PFH SMS	STEEL
15	MULLION MIN. (0.056" THK)	STEEL	70	SCHLAGE LOCK SET ASSEMBLY ND53PD	STEEL
16	ANSI LATCH STRIKE	STEEL	71	DESIGN HARDWARE D1-S SERIES DEADBOLT	STEEL
17	DEADBOLT STRIKE	STEEL	72	DESIGN HARDWARE "Z" SERIES ENTRY	STEEL
19	DEADBOLT STRIKE REINFORCEMENT	STEEL	76	DESIGN HARDWARE D2-S SERIES DEADBOLT	STEEL
20	WEATHER-STRIP	NEOPRENE	77	DESIGN HARDWARE "X" SERIES ENTRY	STEEL
			81	DOW 995 STRUCTURAL SILICONE	SILICONE
			82	GLASS SPACER	ALUM



November 15, 2022
 Documents Prepared By:
 Lyndon F. Schmidt
 P.E. No. 43409
RW BUILDING CONSULTANTS, INC.
 P.O. Box 230, Valrico, FL 33595
 Phone No.: 813.659.9197
 FBPE Registry No. 9813



PRODUCT: PREMIER PRODUCTS, INC. "D" STEEL DOOR	
PART OR ASSEMBLY: BILL OF MATERIALS & COMPONENTS	
NO.	DATE
BY	REVISIONS
DATE: 11/10/22	
SCALE: N.T.S.	
DWG. BY: LFS	
CHK. BY: RW	
DRAWING NO.: FL-41788.8	
SHEET 8 OF 8	

© 2022 R.W. BUILDING CONSULTANTS INC.